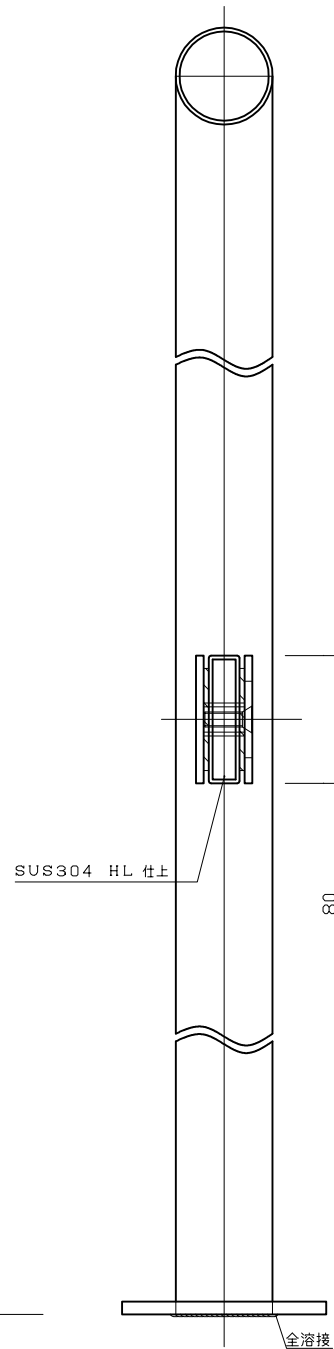
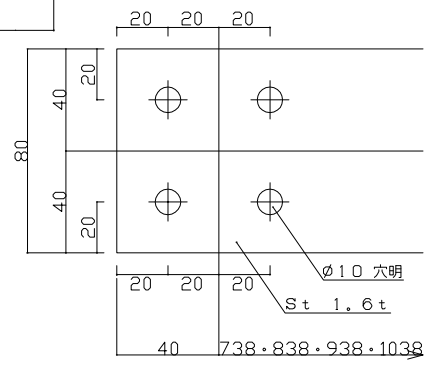


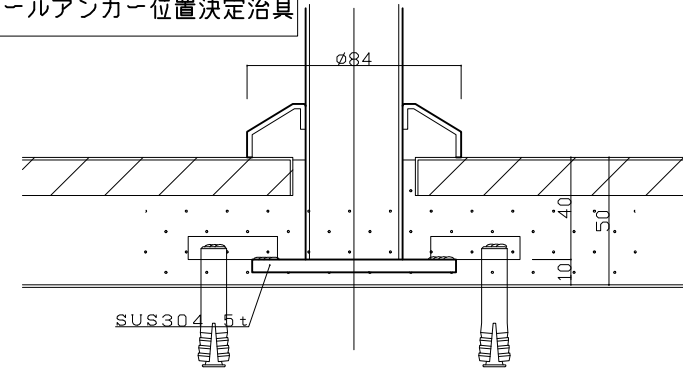
柱・ブラケット詳細図



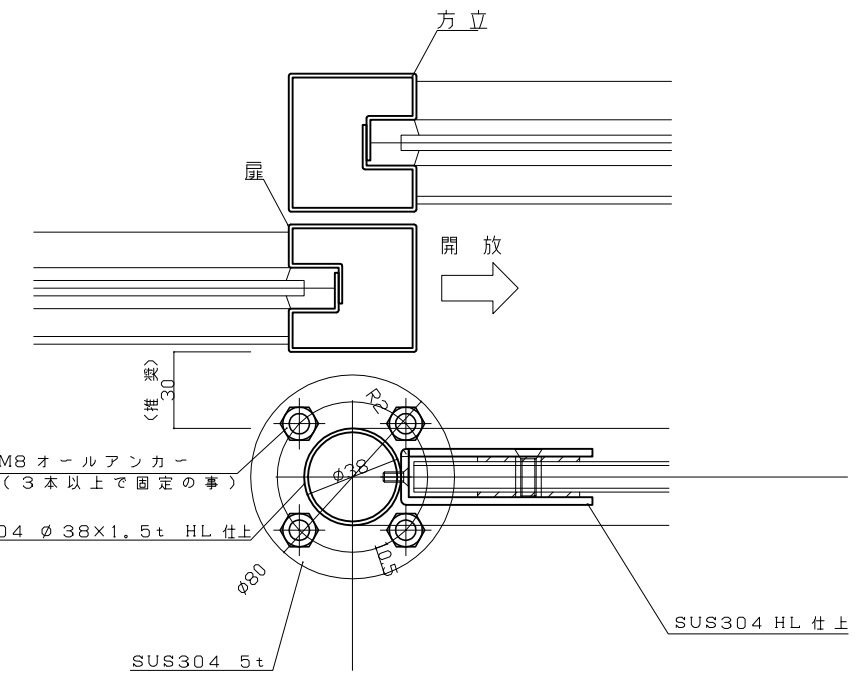
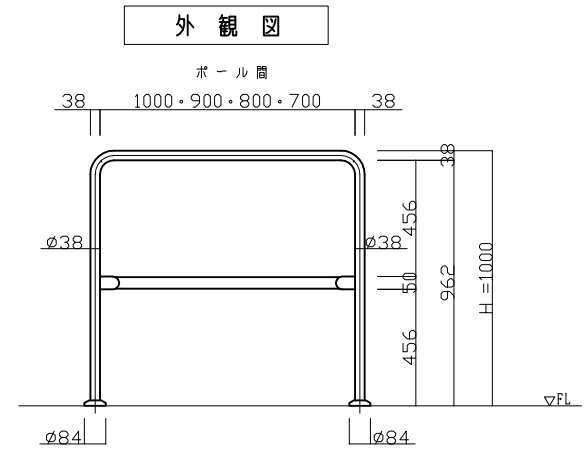
A - A 断面図



オールアンカー位置決定治具



OP:床ノミコミ仕様納まり



防護柵基本配置レイアウト

THIS DRAWING IS THE PROPERTY OF BEA AND MAY NOT BE REPRODUCED WITHOUT WRITTEN AGREEMENT

 LIEGE-BELGIUM VERIFIED APPROVED	1	TITLE: SAFETY GUARD	SG301	MODIFICATIONS LIST				
	2	DRAWER:	DATE: 25/12/2006	DATE:	BY:	DESCRIPTION:	REL.	VER.
	3	SC: 1/2 1/20	SIZE: A2					
	4	MATERIAL: -						
	5	TREATMENT: -						
	6	GENERAL TOLERANCE: -						
	7	C.A.D. FILE:						
DOC.:	OBJET:	VER.:	PAGE:	01/01				