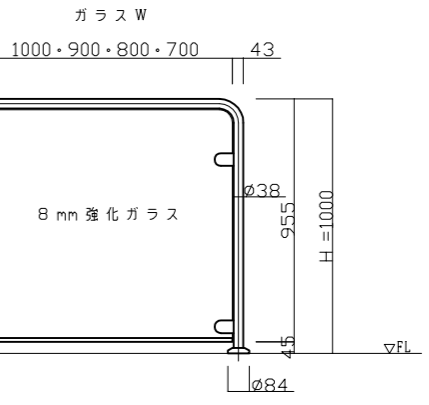


外観図



柱・ブラケット詳細図

A - A 断面図

オールアンカー位置決定治具

防護柵基本配置レイアウト

OP: 床ノミコミ仕様納まり

THIS DRAWING IS THE PROPERTY OF BEA AND MAY NOT BE REPRODUCED WITHOUT WRITTEN AGREEMENT

<p>LIEGE-BELGIUM VERIFIED APPROVED</p>	1	TITLE: SAFETY GUARD	SG201	MODIFICATIONS LIST					
	2	DRAWER:		DATE: 25/12/2006	DATE:	BY:	DESCRIPTION:	REL.	VER.
	3	SC: 1/2 1/20		SIZE: A2					
	4	MATERIAL: -							
	5	TREATMENT: -							
	6	GENERAL TOLERANCE: -							
	7	C.A.D. FILE:							
DOC.:	OBJET:	VER.:	PAGE: 01/01						